

# XPON 1GE ONU

## Overview

- 1GE ONU is designed as HGU (Home Gateway Unit) in different FTTH solutions; the carrier-class FTTH application provides data service access.
- 1GE ONU is based on mature and stable, cost-effective XPON technology. It can switch automatically with EPON and GPON mode when it access to the EPON OLT or GPON OLT.
- 1GE adopts high reliability, easy management, configuration flexibility and good quality of service (QoS) guarantees to meet the technical performance of the module of China Telecom EPON CTC3.0.
- 1GE is fully compliant with technical regulations such as ITU-T G.984.x and IEEE802.3ah.
- 1GE is designed by Realtek chipset 9601D

## Feature

- Supports Dual Mode (can access GPON/EPON OLT).
- Supports SFU and HGU of EPON CTC 3.0 standard.
- Support NAT, Firewall function.
- Support Flow & Storm Control , Loop Detection and Port Forwarding.
- Support port mode of VLAN configuration
- Support LAN IP and DHCP Server configuration
- Support Route PPPoE/IPoE/DHCP/Static IP and Bridge mixed mode
- Support IPv4/IPv6 dual stack
- Support IGMP transparent/snooping/proxy
- In compliant with ITU-T G.984.x and IEEE802.3ah standard
- Compatible with popular OLT (HW, ZTE, FiberHome,Vsol...)

## Specification

Technical Item	Details
PON interface	1 GPON/EPON port(EPON PX20+ and GPON Class B+) Upstream: 1310nm, Downstream: 1490nm

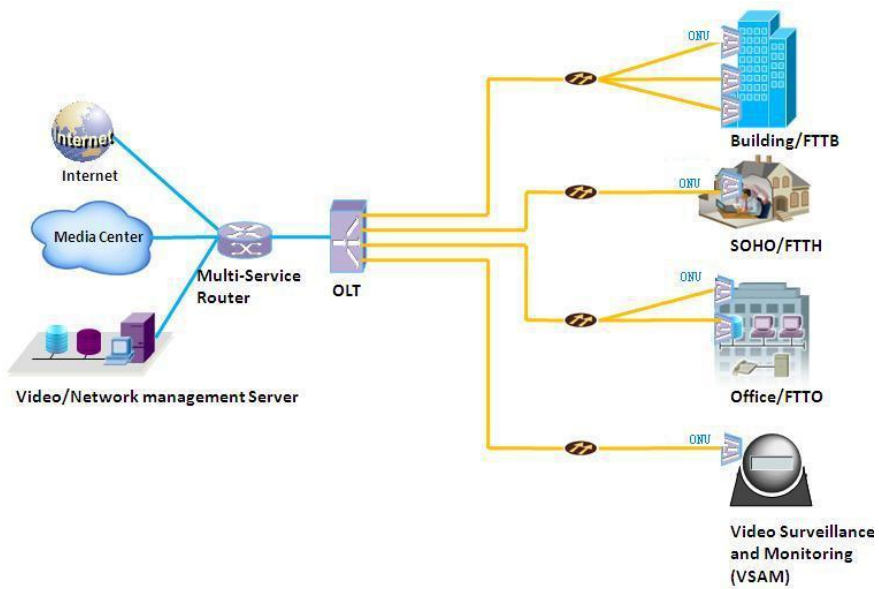
	SC/APC connector Receiving sensitivity: $\leq -27\text{dBm}$ Transmitting optical power: $0\sim+4\text{dBm}$ Transmission distance: 20KM
LAN interface	10/100/1000Mbps auto adaptive Ethernet interfaces. 10/100/1000M Full/Half, RJ45 connector
LED	4 LED, For Status of POWER, LOS, PON, LAN
Push-Button	2, for Function of Power on/off, Reset
Operating condition	Temperature : $0^{\circ}\text{C}\sim 50^{\circ}\text{C}$ Humidity : $10\%\sim 90\%$ ( non-condensing )
Storing Condition	Temperature : $-40^{\circ}\text{C}\sim +60^{\circ}\text{C}$ Humidity : $10\%\sim 90\%$ ( non-condensing )
Power supply	DC 12V/1A
Power Consumption	<3W
Net Weight	<0.2kg

## Panel lights and Introduction

Pilot	Status	Description
POWER	On	The device is powered up.
	Off	The device is powered down.
LOS	Blink	The device does not receive optical signals.
	Off	The device has received optical signal.
PON	On	The device has registered to the PON system.
	Blink	The device is registering the PON system.
	Off	The device registration is incorrect.
LAN	On	Port is connected properly (LINK).
	Blink	Port is sending or/and receiving data (ACT).
	Off	Port connection exception or not connected.

## Application

- Typical Solution: FTTO(Office)、FTTB(Building)、FTTH(Home)
- Typical Service: Broadband Internet access, IPTV, VOD.



## Appearance



## Ordering information

Product Name	Descriptions
1GE XPON	1*10/100/1000Mbps auto adaptive Ethernet (RJ45) , GPON interface, Plastic Casing, External power supply adapter
1GE EPON	1* 10/100/1000Mbps auto adaptive Ethernet (RJ45) , EPON interface, Plastic Casing, External power supply adapter